



0105538078131



ทน3606



DUST COLLECTOR SYSTEM



WET SCRUBBER SYSTEM



OTHERS PROJECT

DUST CONTROL COMPANY LIMITED



Our history

DUST CONTROL COMPANY LIMITED

Suggest, delivers innovation, design, distribution and installation an environmental Solutions that goes far beyond environmental regulation compliance.

We have the expertise and knowledge to help you design your environmental control system at a new facility or retrofit an installation at your existing plant.

Tel : 02-8686612 , 02-8686614-5

Fax : 02-8686621

E-mail : dust-control@hotmail.com

Website : www.dustcontrolthailand.com



DUST CONTROL COMPANY LIMITED gain the trusted by customer in all industries and sectors. Such as Biomass Energy, Fertilizer, Pulp and Paper, Plastic and Polymer, Pharmaceutical, Automotive, Furniture, Wood, Food and Agricultural (Rice, Sugar, Flour), Healthcare Metal processing and Coating, Foundry and ETC.



Design Dust Collector Air Jet System



- Design, Distribution and Installation Dust Collector System

- Cyclone and Multi Cyclone Dust Collector
- Pulse Jet Bag Filter
- Mist Collector



Industrial Furnaces Treatment System



- Canopy Hood
- Dust Collector
- Scrubber
- Skimmer Collector
- Multi Cyclone
- Air Intake Oil collector
- Feed Hopper



- Air Pollution Treatment System in The Industrial Furnaces

Such as

Aluminum melting furnace,
Zinc, Brass or Copper,
Incinerator, Kiln and ETC.



Exhaust System and Pipe

- Design and Installation Ventilation Ducts (QuickFit) For Industrial



Exhaust & Fresh Air System

Provide You with Professional Customized Solutions for Industrial

- Duct
- Air Duct
- Supply Air Duct
- Exhaust Air Duct
- Ventilation Duct
- Chimney Shaft
- Hood and Scrubber Duct



Such as
Sawdust, Plastic and Resin, Epoxy Powder, Fly ash, Phosphate Rock, Nylon Flakes, Pulverized, Rubber Dust, Machine Dust, Fiberglass, Cement, Aluminum Dust, Sandblast Dust, Banbury Mixer ETC.

Spiral Duct, Galvanized Steel Duct, Stainless Steel Duct.



Evaporation and Ventilation Service



- Ventilation System For Factory

Ventilation is a means of removing contaminated indoor air and replacing it with fresh.

Industrial Ventilation System can help reduce the risk of fire and explosion, particularly where toxic.





*Design Dust silo,
Material handling
and Telescopic
Loading spouts*



**- Material Handling and
Telescopic Loading Spouts**

Loading Solutions provide fast and steady material flow. These loading spouts are designed to capture fugitive dust, prevent material waste, and ensure plant and environmental safety

Another way to lower your labor costs

Material Handling Systems cover many different services within the supply chain, various mechanisms and services are used to complete each specialized task, such as manufacturing, storage and distribution by Conveyor

- Belt Conveyor - Wheel Conveyor
- Roller Conveyor - Loading





Service Maintenance

- Nozzle and Water Pump Inspection
Such as Pressure, Valve, Pump,
Volume flowrate and ETC.
- Air and Noise Pollution Quality
Inspection
- Media Inspection and Cleaning
- Blower Inspection
- Bearing Inspection
- Belt conveyor Inspection and adjust
- Wastewater Treatment System
Cleaning
- Sump Tank
- Filter Tank Cleaning
- Change The Bag Filter
- Change The Cartridge Filter and
Housing Cleaning
- Mixing Tank Cleaning
- Tank Cleaning
- Control Valve, Solenoid Valve, Body Valve
Inspection
- Rotary Inspection Such as Bearing Housing,
Motor, Gear OIL and ETC.
- Electrical Inspection



We help customers to design and customize product to suit with every industrial application. Such as Size, Fabric, Characteristics (Dust Filter Bag, Liquid Filter Bag, Pocket Filter or ETC) and Amount. In the cement, minerals, power and metals industries control air pollution and emissions



Import and Distribution of Dust Filter Bags and Cages

- Manufactures, Distributes and Import cages and dust filter bag high quality Such as filter bag from BWF that high-performance and provides smart solutions for industrial filtration. And many type of material for suit to different industries.

PP,PENO,PPS,PI,PTFE

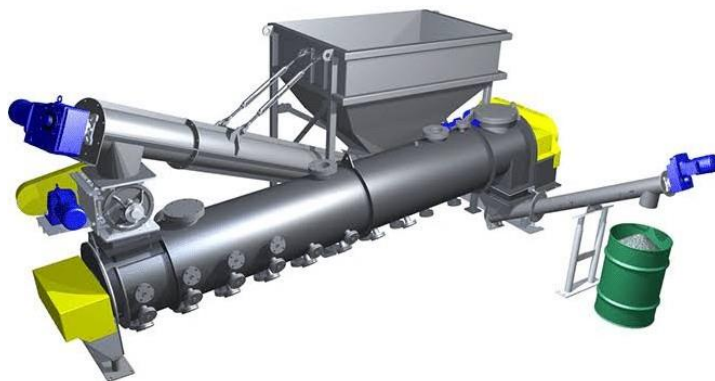
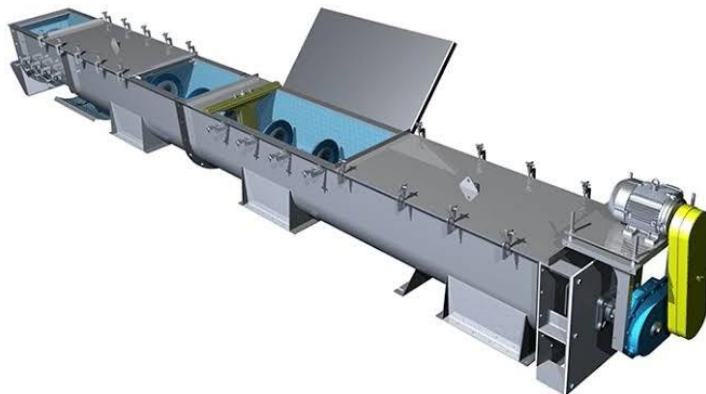




Design, Distribution and Installation Rotary Screw Conveyors

Count as essential part of many conveying systems. simple design and easily maintained. Screw conveyor is a mechanism that uses a rotating helical screw blade, called a "flight" usually within a tube or u-trough, to move bulk solid materials.

- V-Shaped Groove Screw Conveyor
- U-Shaped Groove Screw Conveyor
- Tubular Screw Conveyor



Design and Distribution Rotary Screw Conveyor





Design & Installation Electrical Control Panel

- Design and Installation electrical control panel used in the dust collector and ventilation system.



Wastewater Treatment Plant

- Provides a complete range of state of the art water treatment solutions and systems for various industrial and public utility applications by specialist.



Design Blower & Dusting System

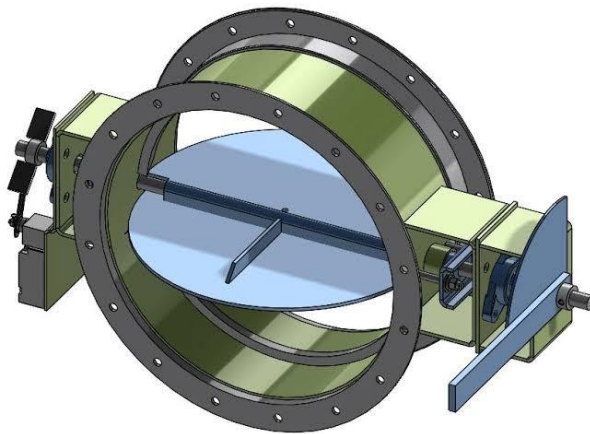
- Design, Distribution and Installation Industrial Blower, Blower and Turbo Blower





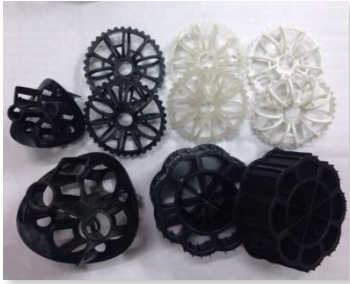
Manufactures and Distributes Damper, Air Damper, Damper Venturi, Pneumatic Damper, Air Grille Diffuser, Square Ceiling Diffuser, Round Ceiling Air Grille and ETC.

Pneumatic Accessories Such as Duct Damper, Volume Damper, Duct Silencer, Fire Damper and ETC.



Design Damper & Air Damper





Distribution and import of Dust Equipment

- Distributes and Import dust collector and cartridge filter equipment



Such as

Used in Pneumatic System - Air Filter Regulator Lubricator, Solenoid Valve, Cylinder, Fitting, Brass Fitting, Air Blow Gun, Control Panel, Nozzle, Belt Driver, Roller Conveyor, Connector, Ceramic Ball, Media, Rotary, Value Gear Motor, Spray and Converged, Suction Air Blower, Pump, Diaphragm, Sludge Scraper and ETC.





Factory Fabrication

- STRUCTURE
- SECTION AIR DUCT & DESIGN
- FABRICATION DUCT GALVANIZED SHEET
- FABRICATION DUCT MADE BY MILD STEEL SS400
- INSTALLATION WORK & DESIGN
- INSTALLATION BAG CASE AND BAG





Measurement and Evaluation Services of Factory Environment

Factory Environment Measurement and Evaluation

- WBGT Heat Stress Monitor
- Lux Output Level
- Workplace Air Monitoring (Solvent, Gas, Heavy Metal, Dust)
- Noise Measurement
- Ambient Air Monitoring
- Equivalent Continuous Sound Pressure Level: LAeq
- Total suspended particulate, TSP
- Air Quality Index : AQI

Continuous Emission Monitoring Systems : CEMs

- Air Quality Index : AQI (SO₂)
- Air Quality Index : AQI (NO₂)
- Standard Control of Volatile Organic Compounds Vapor
- Environmental Pollution with the Heavy Metal Compound

Water & Wastewater Quality Monitoring

- Good Manufacturing Practice
- COD (Chemical Oxygen Demand)

ASHRAE Standard and Hazards in Confined Spaces

- Inspection and functional tests of ventilation systems
- Test and analysis air flow rate and air velocity performance of ventilation system
- Measure and Appraise
 - Temperature and Relative humidity
 - Air velocity
 - Air Quality Index : AQI (CO₂)
 - Air Quality Index : AQI (CO)
 - Air Microbiome and Pollution
- Measure the air quality that low flammable limit or lower explosive limit



